



# KWC SYSTEMA



## Model number:

10.501.183.[---] 8" Reach

10.501.184.[---] 10" Reach

Deck-mounted, single-hole, side-lever mixer with swivel spout, pull-out spray, integrated soap dispenser and extension pillar 4"

## Available in:

[727] Solid Stainless

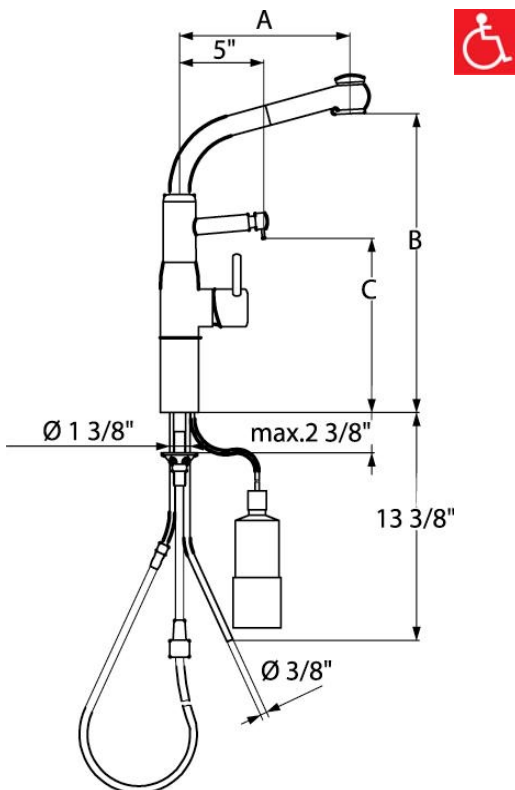
Steel/Splendure™ Stainless Steel

[736] Solid Stainless Steel/Matte Black

## Measurements:

10.501.183.[---] A= 8" B= 17 1/16" C 10 1/8"

10.501.184.[---] A= 10" B= 17 7/16" C 10 1/8"



## Features:

- Durable, solid, low-lead brass or solid stainless steel construction
- Installs with lever on right side only
- Swivel spout 160° with pull-out spray
  - TAC turn and clean aerator
  - KWC JETCLEAN technology
  - lockable spray mode
  - automatic diverter reset
  - pull-out length 20"
- Universal ceramic disc cartridge with adjustable temperature and flow rate limitation
- 3/8" OD copper supply lines
- Mounting hole size  $\text{Ø } = 1 \frac{3}{8}"$
- Flow rate: 2.2 gpm @ 60 psi